



*Compact, convenient size*

*Dependable electrical to pneumatic conversion*

*All necessary mounting brackets & hardware included*

## *Montalvo Accessories*

### **MPC-3 I/P Converter & MAF-3 Air Filter**

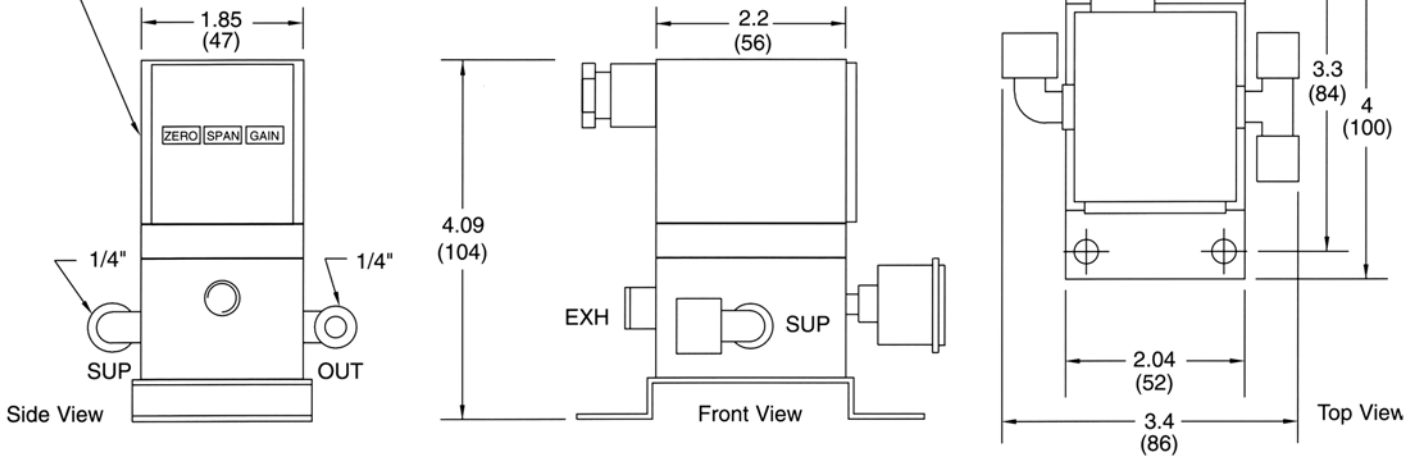
Slow response time on your dancer or load cell tension control system? The high air flow capacity of the MPC-3 I/P Converter delivers the technology to propel your system into the future. The performance of Montalvo's MPC-3 I/P Converter offers dependable electrical to pneumatic conversion in a unit small enough to hold in your hand. Operating on a 4-20mA loop, no additional AC/DC power is required. The result is true "2 wire control". The MPC-3 comes with mounting brackets and hardware, utilizing quick disconnect fittings to simplify installation and configuration process.

## MPC-3 I/P CONVERTER

Dimensions in inches (mm).

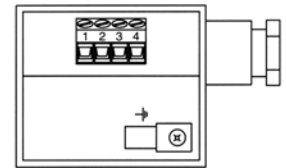
POTENTIOMETER LOCATION (behind cover)  
 ZERO: adjustment range 0-50%  
 SPAN: adjustment range 50-100%  
 GAIN: CCW to decrease gain (and overshoot)

NOTE: All potentiometers are factory set



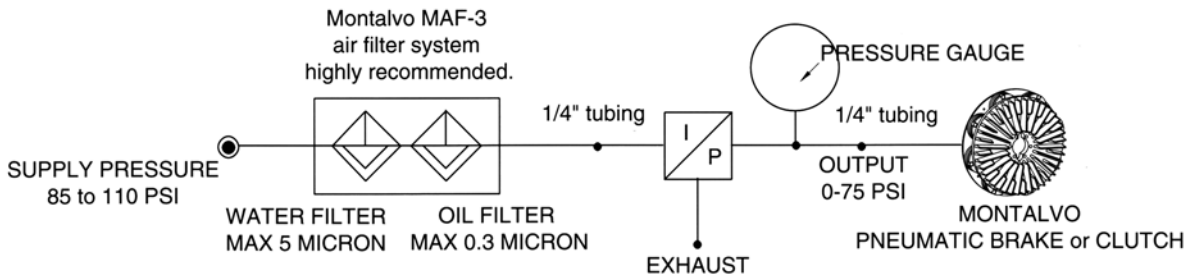
### Specifications

Input Signal	.....	.4 to 20mA
Input Impedance	.....	.500 Ω
Linearity	.....	±1% full scale
Hysteresis	.....	±0.5% FS, maximum
Repeatability	.....	±0.5% FS
Supply Air Pressure	.....	.85 to 110 PSI
Output Air Pressure	.....	.0 to 75 PSI
Flow Capacity	.....	.20 SCFM at 75 PSI
Air Consumption	.....	< 0.5 SCFM
Ambient Temperature	.....	.32° to 140°F
Port Size	.....	.1/4" NPT



### TERMINAL DESCRIPTION

1. Input Current 4-20mA
2. Input GND
3. No Connection
4. No Connection



### Air Supply

The air supply must be clean, dry and free of oil. Water (5 micron) and oil separating (0.3 micron) filters must be installed to protect the MPC-3. Failure to do so may degrade the performance and the service life of the I/P converter. The maximum input air pressure must be regulated to 85 to 110 PSI. The input tubing should be 1/4" O.D. nylon or polyethylene.

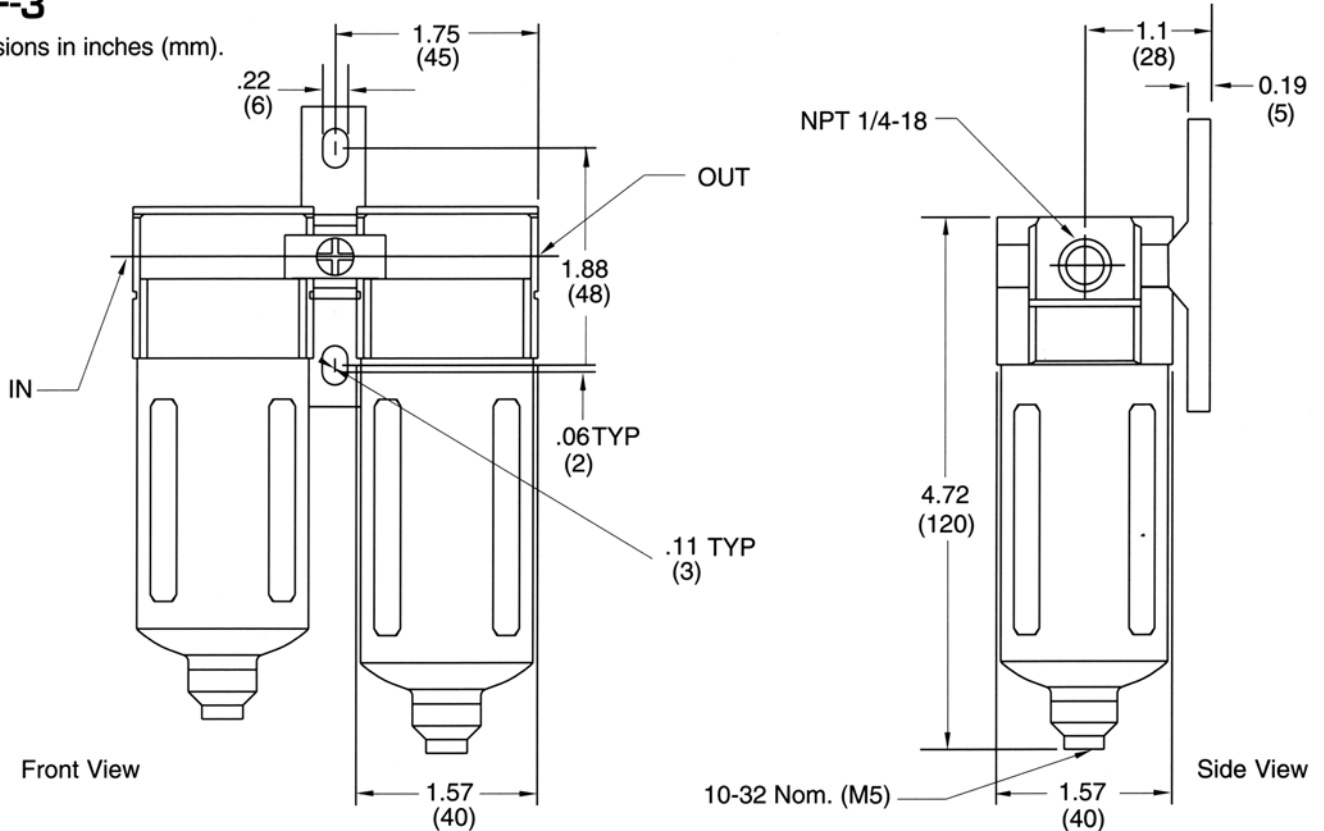
**WARNING:** Damage caused by improper filtration will not be covered under warranty.

### Air Output

Connect to the brake with 1/4" O.D. nylon or polyethylene tubing. Restrictions such as valves or fittings, or large volume requirements may increase the response time of the controller.

# MAF-3

Dimensions in inches (mm).



## Specifications

Maximum Pressure	150psi
Thread Type	1/4 NPT
Bowl Capacity	.9 oz.
Ambient and Media Temperature	.40° TO 140°F (5 TO 60°C)
<b>Mist Separator</b>	
Flow Capacity SCFM (Nℓ/min.)	.7 (200)
Filtration	.0.3 micron
Oil Mist Removal Rate	.More than 99.9%
<b>Filter</b>	
Ambient and Media Temperature	.40° to 140°F (5° to 60°C)
Filtration	.5 micron
Bowl Capacity	.0.9 oz.

## Installation

1. The mist separator should be installed vertically.
2. Flush piping before installation.
3. If a dryer is used, install the mist separator downstream of the dryer.

## Atmosphere

1. Polycarbonate bowls may be damaged and possibly fail if exposed to synthetic oils, thinner solvents, trichlorethylene, kerosene and other aromatic hydrocarbons. If used in above atmosphere a metal bowl is recommended.

## Maintenance

1. Filter element should be changed after 1 year or when a pressure drop of 15psi (1kgf/cm2) is reached.

## Auto Drain

1. Drain line should be 5/16" (8mm) O.D. or more and should be less than 16.5 feet (5m) long. Be sure not to have any upward turns in the drain line which could prevent drainage.
2. Unsuitable for flow below 3.5 SCFM (100Nℓ/min).



The Montalvo Corporation • 50 Hutcherson Drive • Gorham, Maine 04038 USA  
Tel: 800-226-8710 or 207-856-2501 Fax: 800-644-5097 or 207-856-2509  
Email: [info@montalvo.com](mailto:info@montalvo.com) Web Site: [www.montalvo.com](http://www.montalvo.com)

Technical details subject to change without notice. Printed in U.S.A. ACMPC3MAF3-US-001 © 2007 MONTALVO